



Size:	36" x 36" H
Weight:	1,150 Lbs.
Material:	Reinforced concrete
Reinforcing:	3/8" Dia. steel rebar
Logo Options:	Inkjet or Cast
Drain Hole:	(1) 2" Dia. drain hole
Hardware:	(4) 5/8" Dia. lifting inserts

Note:

Lifting inserts are to ONLY be used when planter is EMPTY

Accepts Reservoir System

Finish Options

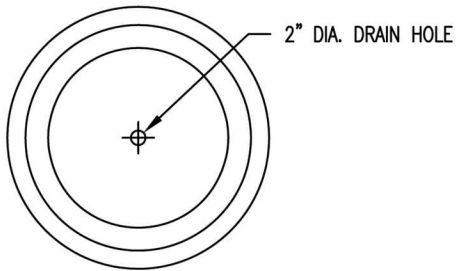
Standard

- Exposed Aggregate
- Weatherstone

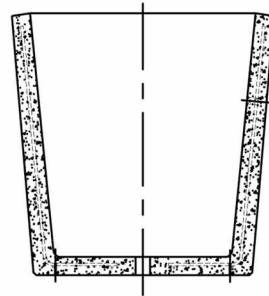
FURNITURE LEISURE INC
1.800.213.2401

www.FurnitureLeisure.com
www.PicnicFurniture.com
www.ParkTables.com

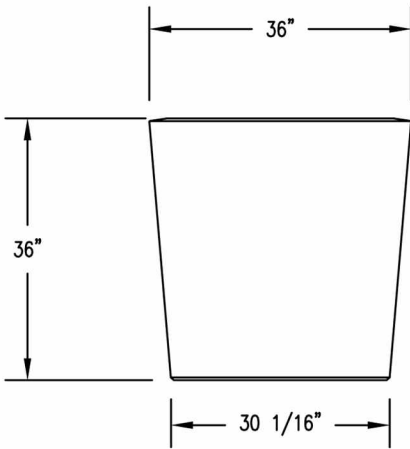
www.PoolFurnitureSupply.com
www.PicnicTableSupplier.com
www.UBrace.com



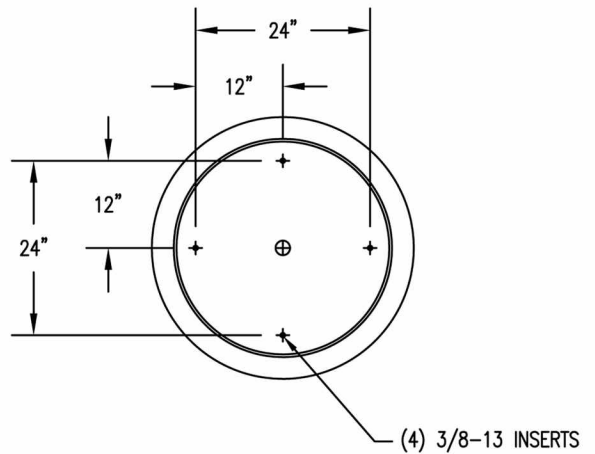
1 TOP VIEW



4 CROSS SECTION



2 ELEVATION VIEW



3 BOTTOM VIEW

TF4101