

Play Systems

UP352 ASSISTED BALANCE WALK

Parts List		
DESCRIPTION	QTY	PART NUMBER
HDPE TOP	1	403594
ASSISTED BALANCE ASS'Y	1	403596
EASY GRIP SIDERAILS	2	403598
HARDWARE COMPLETE	1	403642
3/8" x 3/4" P.B.H.C.S. w/PATCH	10	812052*
3/8" LOCK WASHER	10	817334*
3/8" FLAT WASHER	10	817410*
3/8" BARREL NUT	10	804804*
USAGE/WARNING LABEL	1	403910*

Unless Otherwise Specified, All Units of Measure are Each

** Items listed below Hardware Complete line are included with Hardware Complete Number*

Warning: During Installation, Hardware And Small Parts Are Choking Hazards For Young Children. Store Unused Parts Appropriately Until Assembly Is Completed. Once Assembly Is Completed, Remove Any Unused Parts From The Play Environment And Dispose/Save Them In A Secure Location. Any bolt end protruding more than two full threads beyond the face of the nut causes risk of clothing entanglement.

Promptly cut-off flush, file smooth, and treat to prevent corrosion.

Note: Peen Tee-Nuts and Flatwashers to match radius of pipe after assembly is complete.

Note: Loctite (supplied by others) should be used on any non-patch hardware.

SPECIFICATIONS:

HDPE Top: Shall be 3/4" HDPE Densetec Anti-skid Diamond Texture Sheet.

Assisted Balance Assembly: Shall have a 1 1/2" galvanized pipe with a 12Ga. hot rolled steel top.

Easygrip Siderails: Shall be 1-5/8" O.D. galvanized steel tube with a combination polyurea/baked on polyester powder coat finish.

Hardware: All nuts, bolts, screws, and lock washers used in the assembly shall be stainless steel, yellow dichromate plated steel, blue-coat plated steel, mechanically galvanized or powder coated/yellow dichromate plated steel. All primary fasteners shall be 304 alloy stainless steel. Fasteners with yellow dichromate treatment have an electro-deposited, 99.9% pure zinc substrate applied from a specially formulated solution sealed with a yellow dichromate top coat designed to work in conjunction with the zinc plating.

Issued/Revised: 12/12/16



Furniture Leisure
Commercial Site Furnishings

FurnitureLeisure.com PoolFurnitureSupply.com
PicnicFurniture.com PicnicTableSupplier.com
ParkTables.com UBrace.com

1-800-213-2401 | sales@furnitureleisure.com

Play Systems

UP352 ASSISTED BALANCE WALK

INSTALLATION INSTRUCTIONS:

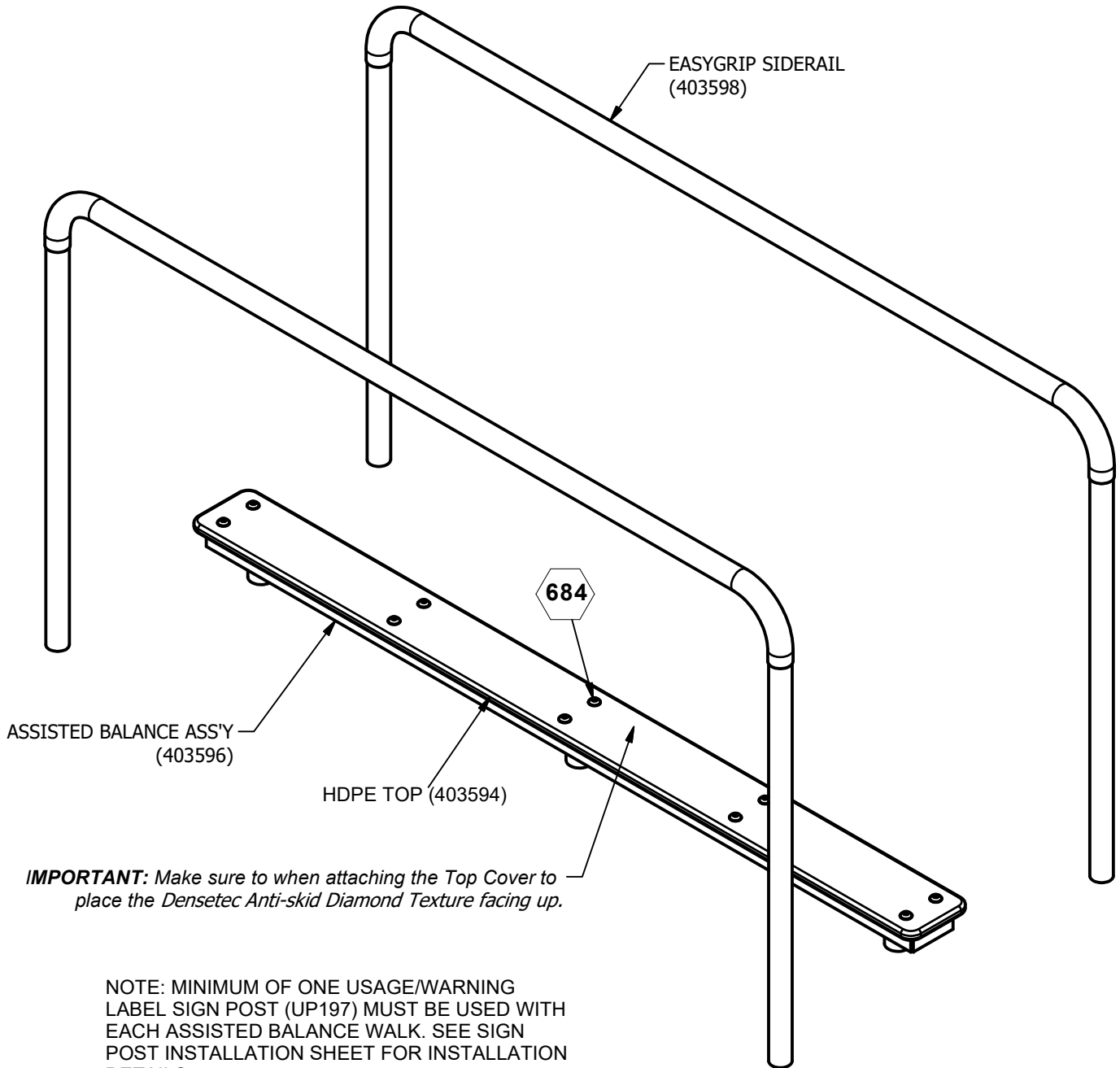
1. Dig holes according to the Ground Plan. See Ground Plan for dimensions and notes regarding surfacing, etc.
NOTE: *Due to extremes in weather and soil conditions, hole sizes may have to be increased to meet local conditions.*
2. Place Easygrip Siderails in footing holes in accordance with the plan view.
3. Attach HDPE Top to the Assisted Balance Assembly using 3/8" Barrel Nut, 3/8" Flat Washer, 3/8" Lock Washer, and 3/8" x 3/4" P.B.H.C.S. w/Patch. See Detail 684. NOTE: *Make certain diamond pattern is facing up.*
4. Place Assisted Balance Assembly into footing holes in accordance with the plan view. NOTE: *Make certain to follow anchor instructions as shown in Detail 231.*
5. After entire unit is assembled pour concrete footings within 4" to the top and taper away from post for water drainage. Allow to cure at least 48 hours before use. Temporary bracing may be required until concrete cures.
6. When the structure is finished and satisfactory, eliminate sharp points and sharp edges (burring) on installed hardware like bolts, nuts, etc. Install resilient surfacing material within the use zone of play structure in accordance with ASTM specifications F1292 appropriate for the fall height of each structure. Refer to the safety guidelines.

MAINTENANCE PROCEDURE:

Periodically check hardware for tightness, and tighten as necessary. Always check all parts for breakage or wear, and immediately put equipment out of service until any faulty parts found are repaired or replaced. Also Check all metal parts for rust, paint loss and touch-up if necessary with paint. Check for welded areas and verify integrity. Check periodically resilient surfacing for appropriate depth and remove extraneous materials that could cause injury, infection, or disease. Maintain detailed installation, inspection, maintenance, and repair records for each public-use playground equipment.

Play Systems

UP352 ASSISTED BALANCE WALK



IMPORTANT: Make sure to when attaching the Top Cover to place the Densetec Anti-skid Diamond Texture facing up.

NOTE: MINIMUM OF ONE USAGE/WARNING LABEL SIGN POST (UP197) MUST BE USED WITH EACH ASSISTED BALANCE WALK. SEE SIGN POST INSTALLATION SHEET FOR INSTALLATION DETAILS.
SIGN POST MUST BE OUTSIDE MAXIMUM SPACE IN WHICH THE USER AND EXERCISE EQUIPMENT COMPONENTS TRAVERSE WHEN THE EQUIPMENT IS OPERATED.

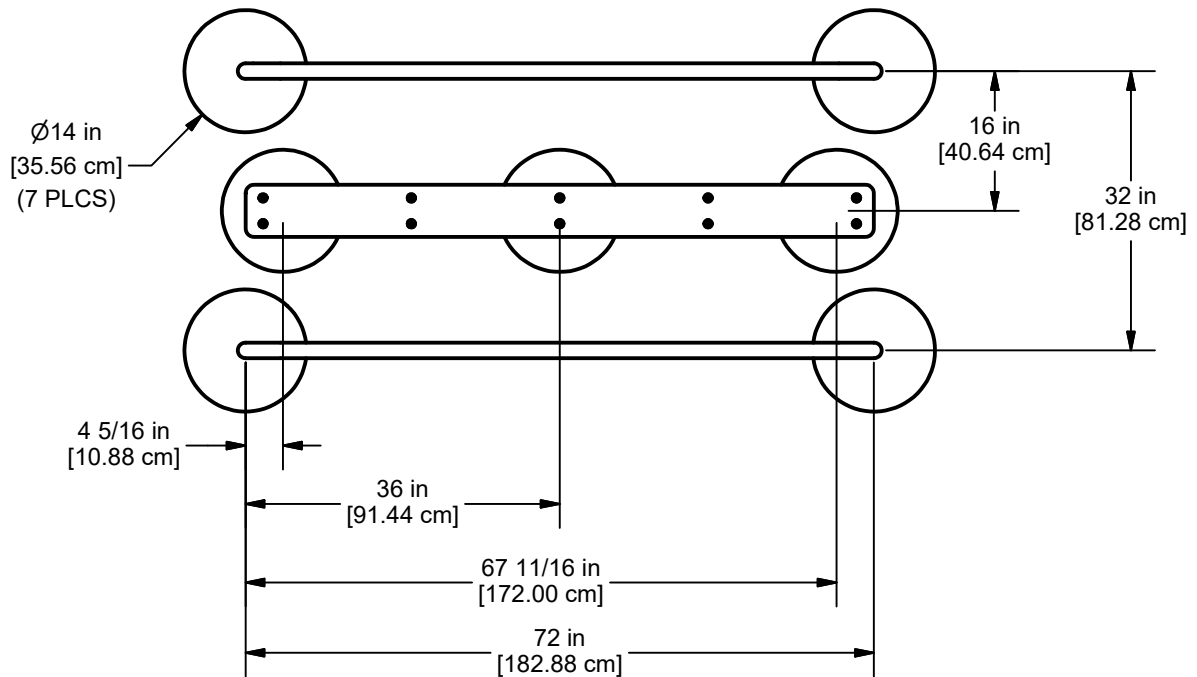
 = INSTALLATION DETAIL

FINISHED ASSEMBLY

Issued/Revised: 12/12/16

Play Systems

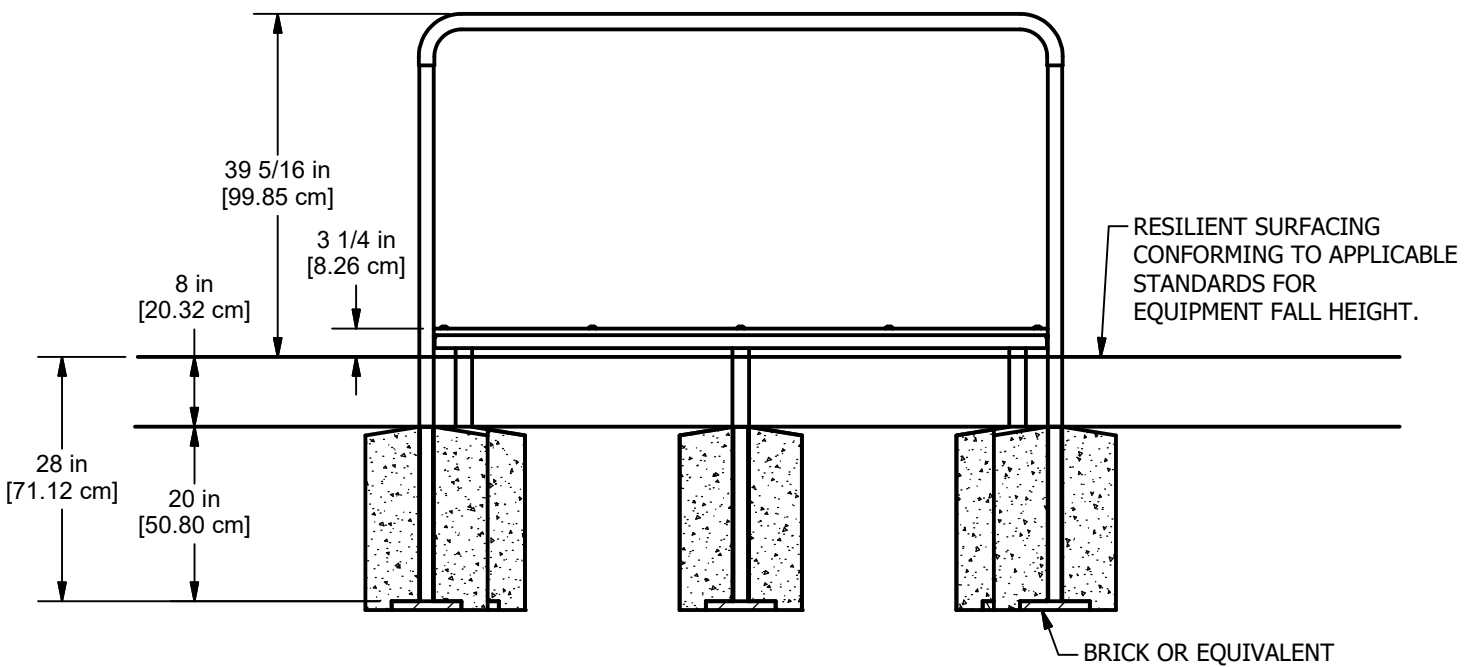
UP352 ASSISTED BALANCE WALK



PLAN VIEW

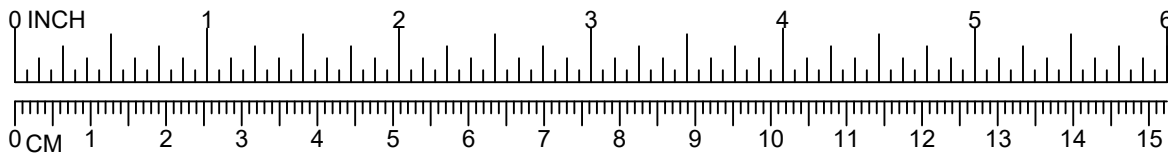
CONCRETE REQUIRED

0.510 CUBIC YARDS
0.390 [CUBIC METERS]



ELEVATION VIEW

Issued/Revised: 12/12/16



UP352 ASSISTED BALANCE WALK

IMPORTANT: Make sure when attaching the Top Cover to place the *Densetec Anti-skid Diamond Texture* facing up.

684

