

SPEC SHEET: PRF32-PERF

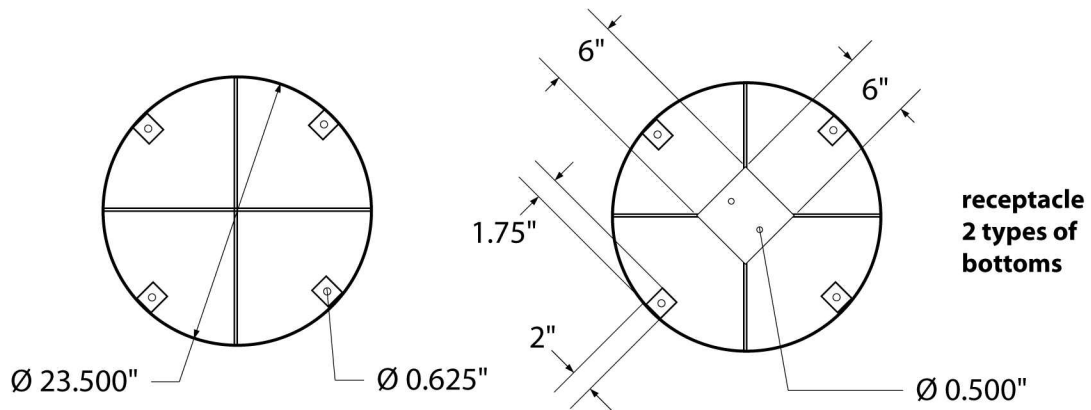
32 GALLON PERSONALIZED PERF RECEPTACLE *portable*

Wt. 95 lbs

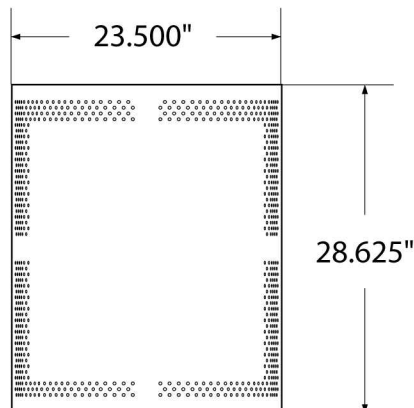
photo



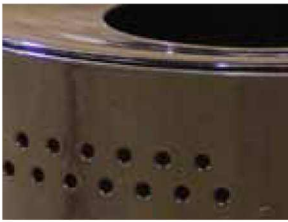
bottom / top view



front view



product details



Coated Surfaces:

- Thermoplastic coated
- Copolymer-based, environmentally safe
- Does not fade, crack, peel or warp
- Applied at a thickness of 25-30 mils.
- 5 Year warranty on coating

Construction:

- 11 Gauge steel

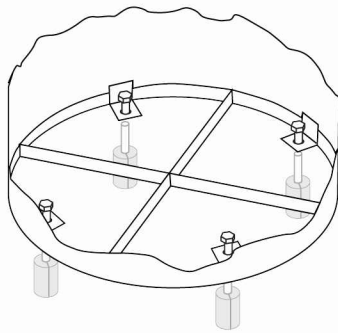
mounting types

P = Portable : no mount

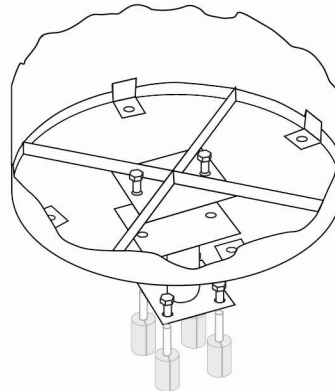
SM = Surface Mount 1: concrete anchors through taps welded to legs

Surface Mount 2: anchor bolts attach to B100 receptacle mount

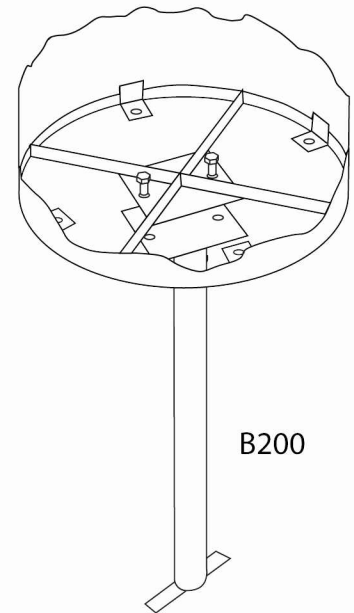
IG= In-Ground: anchor bolts attach to B200 receptacle mount



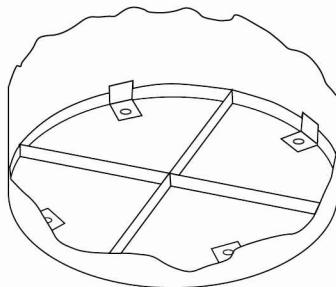
SURFACE MOUNT (1)



B100
SURFACE MOUNT (2)



B200



PORTABLE

IN-GROUND